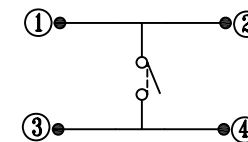
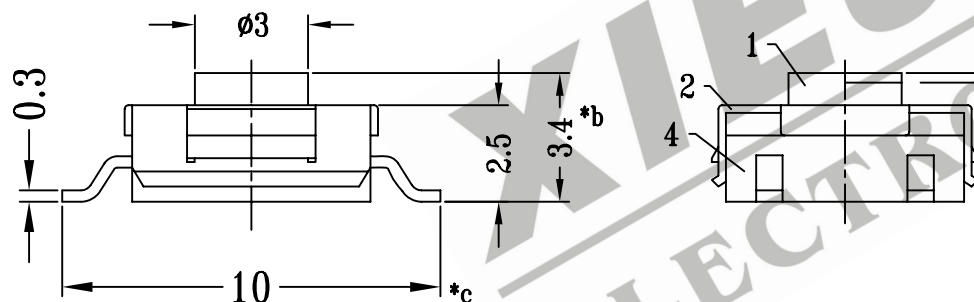
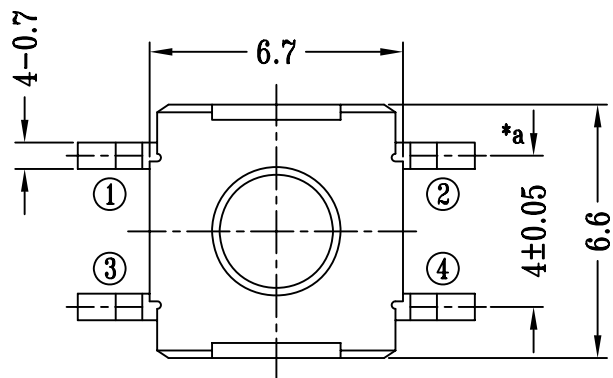
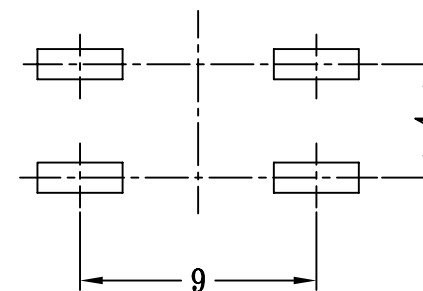


CAD FILE:



CIRCUIT DIAGRAM



P.C.B LAYOUT

OPERATING FORCE: 190±40gf

注：“\*”表示关键尺寸（4个）

					TOLERANCE UNLESS SPECIFIED		SHENZHEN XIEJIA ELECTRONICS CO.,LTD.				
					WITHIN: 1.5±0.1mm OVER: 1.5±0.2mm		ISSUE	DATE	DESCRIPTIONS		APPD
8											
7											
6											
5											
4	CASE	NYLON+F.G+94V0/BRASS	1	BLACK/Ag CLAD	TITLE: TACT SWITCH			UNIT : MM	DRWG NO.: XJ-DR-TD20XA-00		
3	CONTACT	PBS	1	Ag CLAD	MODEL: TD-20XA			SCALE: 5:1	DWN	ZHOUYU	2003-5-16
2	COVER	0.15mm SUS	1	WASHING					CHK'D	FANGYING	2003-5-16
1	KNOB	RUBBER	1	BLUE					APPD	KANGXINAN	2003-5-16
NO.	PART NAME	MATERIAL	QTY	FINISHING	ALL MATERIALS MUST BE COMPLIANT TO ROHS						